



Bruno Stairlifts
KEEP THE COMFORT
OF HOME

www.bruno.com



ENJOY YOUR HOME ON ALL LEVELS

Gain the freedom to safely stay in the home with a Bruno stairlift. There's a Bruno stairlift to match every home, budget and lifestyle.

DESIGNED TO MAKE YOUR LIFE EASIER

COMPACT: Slim vertical rail installs close to the wall to give maximum space for family and pets. Fold up the armrests, footrest and seat to gain even more room.

SAFE: Safety sensors stop the chair if an obstruction is sensed, and an offset swivel makes getting on and off the stairlift safe and easy.

DEPENDABLE: Two 12-volt batteries are continuously powered from any outlet to provide dependable performance even if electrical service is interrupted.

SIMPLE: Armrest rocker switch provides easy stairlift operation. Two wireless call/send controls are also included.

VERSATILE: Folding rail option provides solution if to avoid obstructing a doorway at the bottom of a stairlift. Or, park the stairlift around the corner with a curved rail stairlift.

COMFORTABLE: Generous seat size and multiple seat heights fit most body types.





ELAN INDOOR STRAIGHT

SRE-3050

Bruno's popular Elan indoor straight stairlift blends easy-to-use operation, unsurpassed safety and affordable dependability. Restore full access to your home with the space-efficient Elan.



136 kg Lift Capacity

Compact Design:

- Sleek vertical rail installs only 127mm from wall for maximum open space on steps
- Folded stairlift takes up only 305 mm for ultimate space saving capability

Spacious Seating:

- Wide, 391 mm, standard seat accommodates most body types
- Adjustable seat height for optimal comfort

Peace-of-Mind Functionality:

- Continuous charge strips recharges stairlift unit wherever it stops
- Power-options can be easily added at initial installation of stairlift or in future



"We are completely pleased with our Bruno stairlift. It has enabled my wife to negotiate the stairs without pain or difficulty."





"We love our stairlift. It has made life so much easier for us. We would gladly recommend this product to others."

OPTIONS



Manual footrest lever. Flip lever to raise footrest without leaning over.



Power or manual folding rail for narrow hallway or when doorway is at the bottom of stairs.



Power swivel seat for effortless exit. Armrest switch control or wireless call/send.



Power folding footrest automatically flips up/down when seat is raised/lowered. Arm switch control optional.

ELITE INDOOR STAIRLIFT

SRE-2010

Treat yourself to the luxury seat and smooth ride of a Bruno Elite straight stairlift. With a unique 190 kg weight capacity, the Bruno Elite gives you the confidence of a high-quality, reliable stairlift to enjoy your home well into the future.

190 kg Lift Capacity



Ultimate Comfort:

- Plush, large seat size with multiple height adjustments
- Adjustable width armrests and footrest height

Superior Space:

- Slim rail profile blends in with staircase
- Vertical rail design allows for close installation to wall

Exceptional Engineering:

- Soft start/stop gives smooth ride from start to finish
- Continuous charge strips allow unit to recharge wherever it stops



"My mother was really struggling to come downstairs to be with the family. Now she has the freedom to join us anytime. I'm glad we made the purchase."

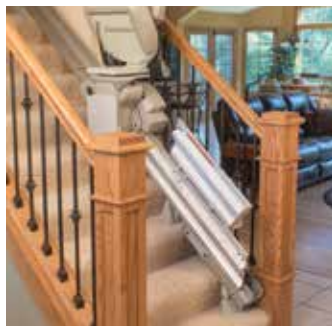




OPTIONS



Power folding footrest automatically flips up/down when seat is raised/ lowered.



Power or manual folding rails for narrow hallway or when doorway is at the bottom of stairs. Manual operation or push button automatic.



Power swivel seat for effortless exit. Controlled on chair arm or wireless call/send.



Larger seat and footrest for increased comfort.

ELITE INDOOR CURVED

CRE-2110

Custom-built for your home, Bruno's Elite curved stairlift beautifully flows along the lines of your staircase. The Bruno Elite Curve offers the unparalleled steady, comfortable ride only achieved by a bespoke design.



190 kg Lift Capacity

Hand-crafted Excellence:

- Custom-crafted rail made to your stair's exact specifications for a supremely smooth ride
- Remarkable stability around every corner from start to finish

Relaxing Comfort:

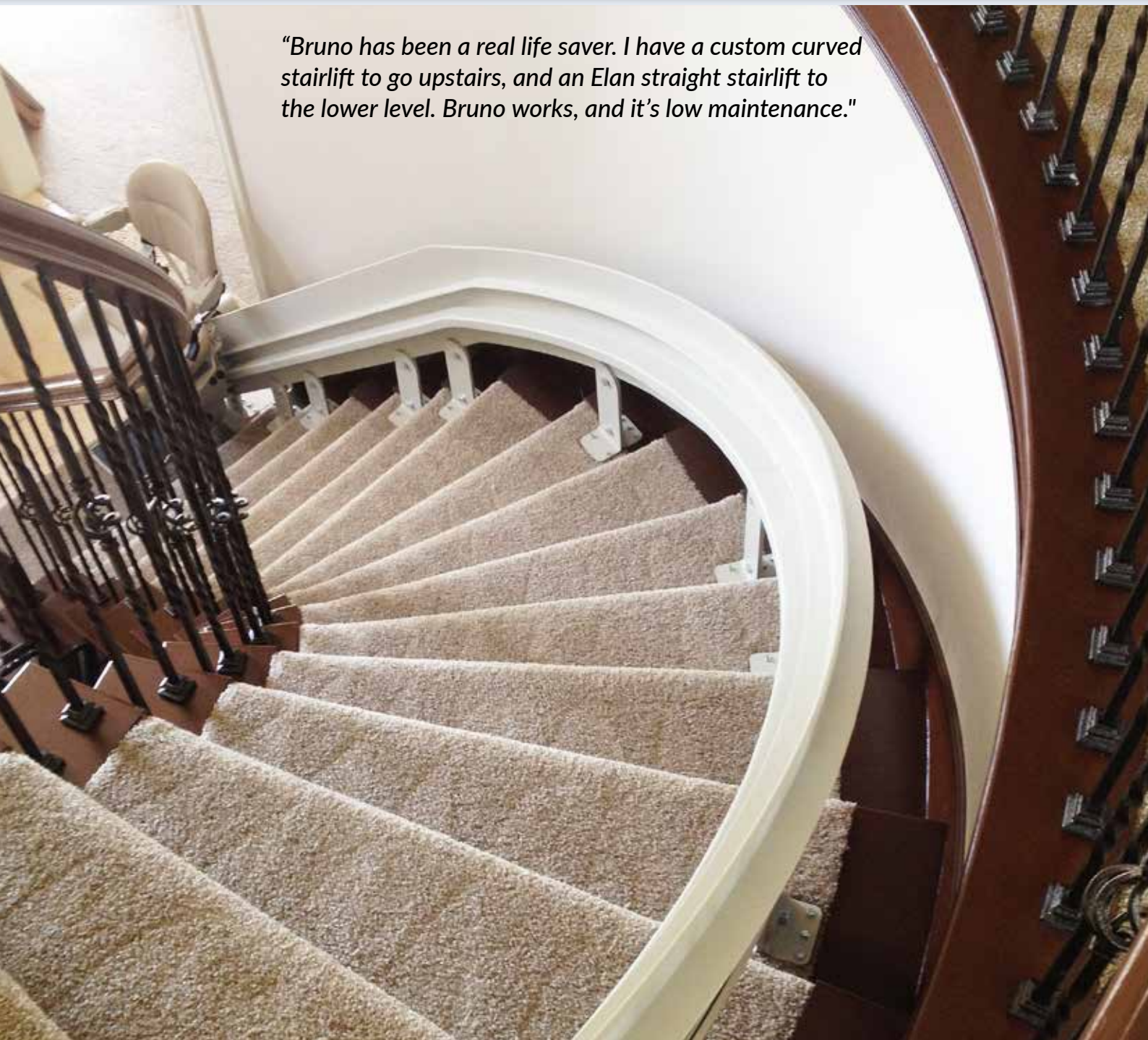
- Padded, spacious seat with multiple height adjustments
- Adjustable width armrests and footrest height

Reliable Performance:

- Unique 190kg lift capacity
- Battery-operation to ensure operation in power interruptions



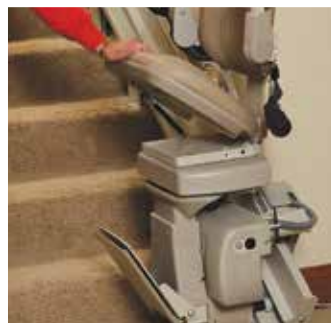
"Bruno has been a real life saver. I have a custom curved stairlift to go upstairs, and an Elan straight stairlift to the lower level. Bruno works, and it's low maintenance."



OPTIONS



Top or bottom park position extends rail away from the staircase.



Power folding footrest automatically flips up/down when seat is raised/lowered.



Power swivel seat for effortless exit. Controlled on chair arm or wireless call/send.



Mid-park and charge station for staircases with middle landings.

OUTDOOR STAIRLIFTS

SRE-2110E | CRE-2110E

Engineered to withstand harsh weather, a Bruno outdoor stairlift takes you effortlessly from your door to the sidewalk, driveway or garage. Available for both straight or curved stairlifts.

190 kg Lift Capacity

Weather-Resistant Durability:

- Performance tested -15° C to 52° C
- Marine-grade vinyl padded seat and armrests
- Waterproof cover travels with chair
- Outdoor paint and e-coat base safeguard steel surfaces

Signature Bruno Quality:

- Heavy-duty lifting capacity of 190 kg
- Padded, generous seat size
- Smooth, quiet ride from start to finish
- Reliable performance even in electrical service interruption





STAIRLIFT FEATURES

Feature	The Elan	The Elite	The Elite Curve	Outdoor The Elite Straight	Outdoor The Elite Curve
Adjustable seat height	✓	✓	✓	✓	✓
Adjustable footrest height	-	✓	✓	✓	✓
Adjustable armrests, extend by 110 mm (450 to 560 mm)	-	✓	✓	✓	✓
Soft start	✓	✓	✓	✓	✓
Soft stop	✓	✓	✓	✓	✓
Manual swivel seat at top landing	✓	✓	✓	✓	✓
Manual swivel seat at bottom landing	-	✓	-	✓	-
Two remote call/send controls	✓	✓	✓	✓	✓
Retractable seat belt with buckle	✓	✓	✓	✓	✓
Easy-to-use control switch	✓	✓	✓	✓	✓
On-board visual diagnostics	-	✓	✓	✓	✓
On-board audio diagnostics	✓	✓	✓	✓	✓
Folding footrest, armrests and seat	✓	✓	✓	✓	✓
Safety sensors on footplate and carriage	✓	✓	✓	✓	✓
Powered by two 12-volt batteries	✓	✓	✓	✓	✓
Rated user weight capacity	136 kg /21st	190kg/30st	190kg/30st	190kg/30st	190kg/30st
Optional manual folding rail	✓	✓	-	-	-
Optional powered folding rail	✓	✓	-	-	-
Slim-line, upright rail profile	✓	✓	✓	✓	✓
Anodized aluminium rail	✓	✓	-	✓	-
Self-locking worm gear, rack and pinion drive	✓	✓	✓	✓	✓
Optional powered seat swivel function*	✓	✓	✓	-	-
Optional powered folding footrest**	✓	✓	✓	-	-
Optional extra large seat, dimensions fixed 584 mm	-	✓	✓	-	-
Optional toggle switch	✓	✓	✓	✓	✓
Continuous charging along the rail	✓	✓	-	-	-
Charging on hinge section	✓	✓	-	-	-
Optional mid park and charge station	-	-	✓	-	✓
Manual override on powered options	✓	✓	-	-	-
Manual footrest lever	✓	-	-	✓	✓
Weather resistant cover	-	-	-	✓	✓

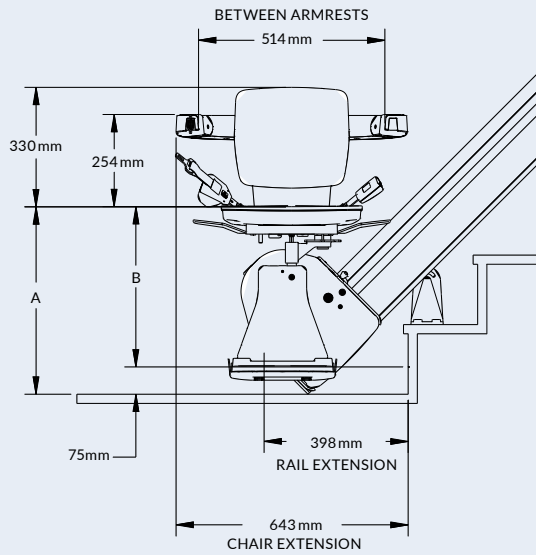
*Can not be combined with the mid-park option or an extra large seat.

**Operated by arm switch or seat switch.

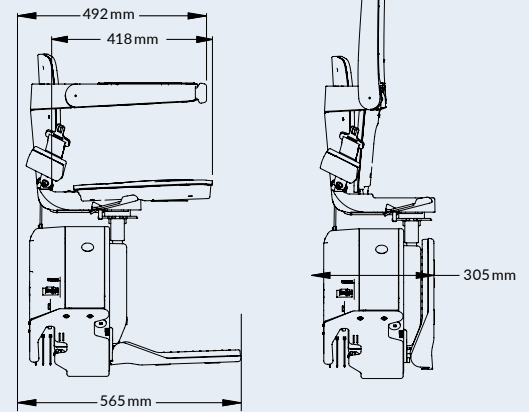
Bruno Elan

Dimensions

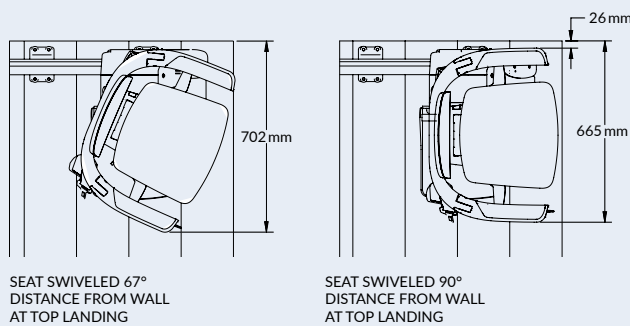
Front view lower and upper landing



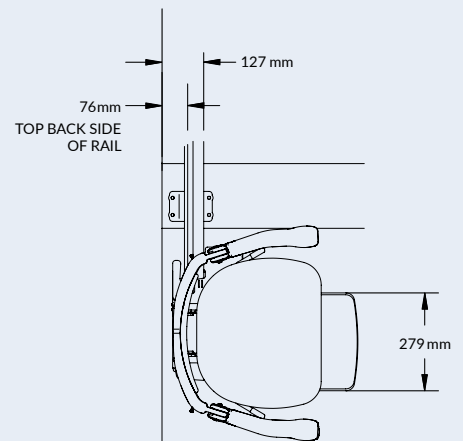
Side view



Top view



Top view



A - Seat heights

- 517 mm
- 542 mm
- 568 mm
- 593 mm

B - Seat to footrest

- minimum 439 mm
- maximum 516 mm

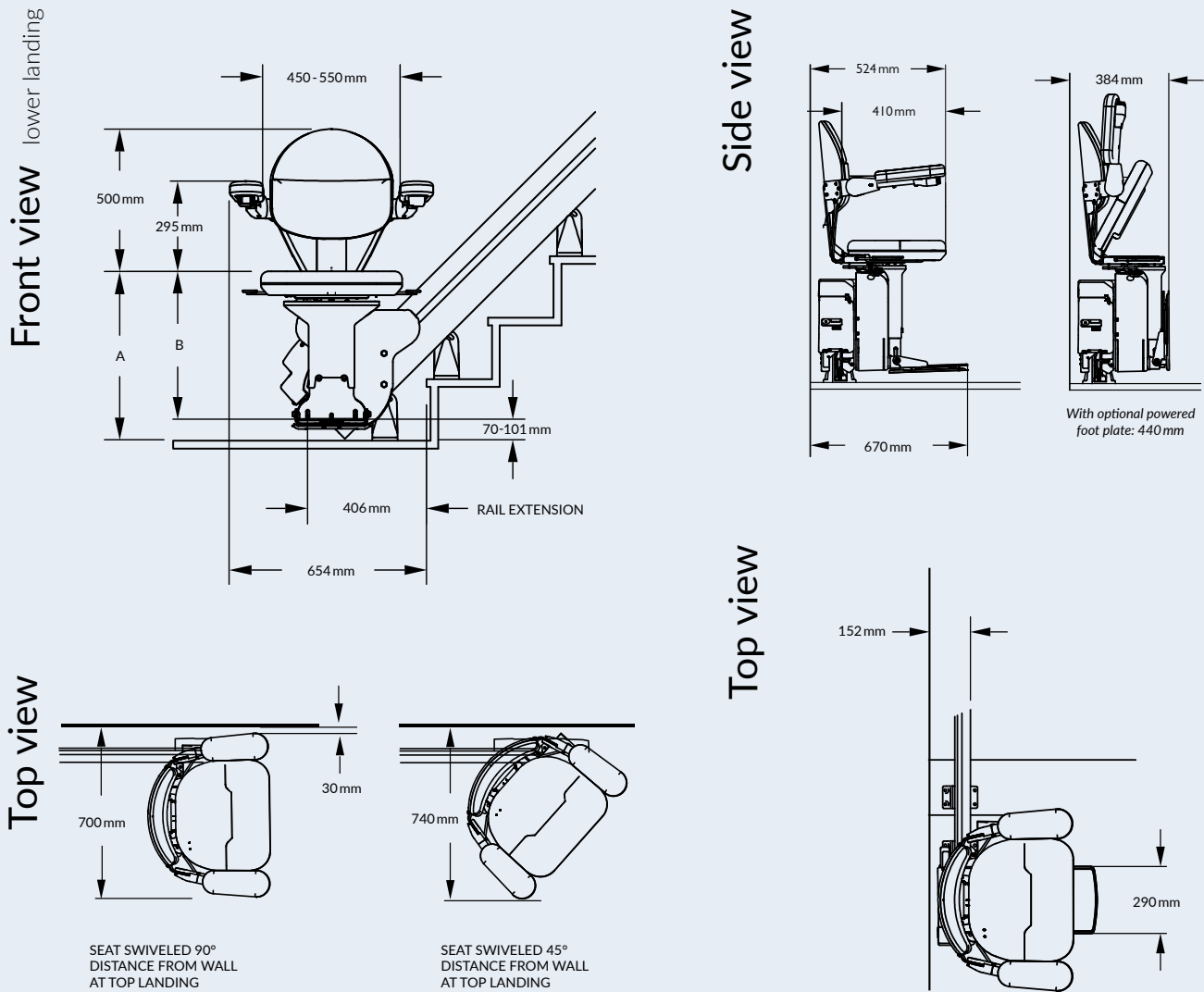
Lower landing rail extension

Lower landing extension dimensions are based on 45 degree rail slope on a 20 cm 1st riser height. Dimensions will vary based on slope and riser height.

Dimensions are approximate and depending on the slope, riser height and custom seat adjustments made for the user. Please note that the addition of a powered swivel seat increases the seat height measurement by 30 mm.

Bruno Elite Straight

Dimensions



A - Seat heights

552 mm
577 mm
603 mm
629 mm

B - Seat to footrest

minimum 480 mm
maximum 559 mm

Lower landing rail extension

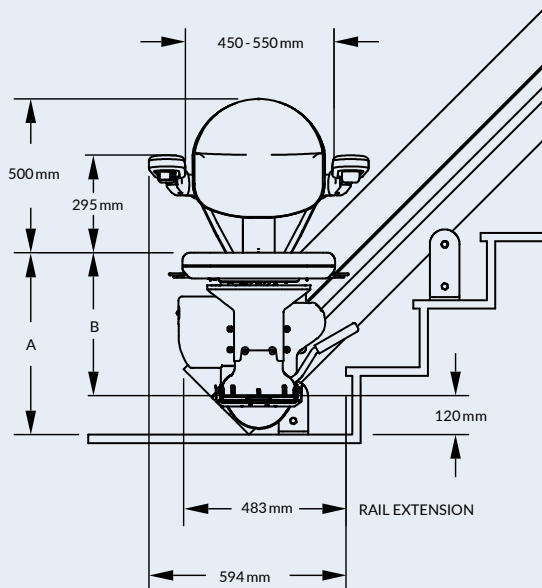
Lower landing extension dimensions are based on 45 degree rail slope on a 20 cm 1st riser height. Dimensions will vary based on slope and riser height.

Dimensions are approximate and depending on the slope, riser height and custom seat adjustments made for the user. Please note that the addition of a powered swivel seat increases the seat height measurement by 50 mm.

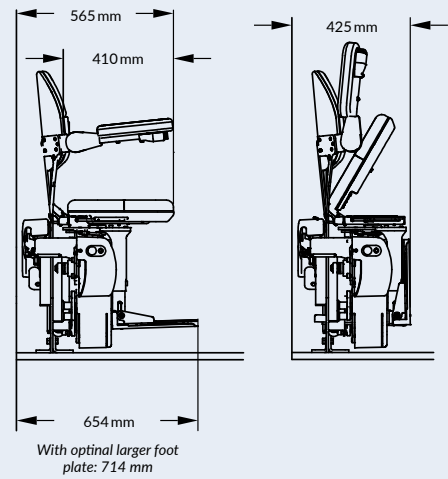
Bruno Elite Curve

Dimensions

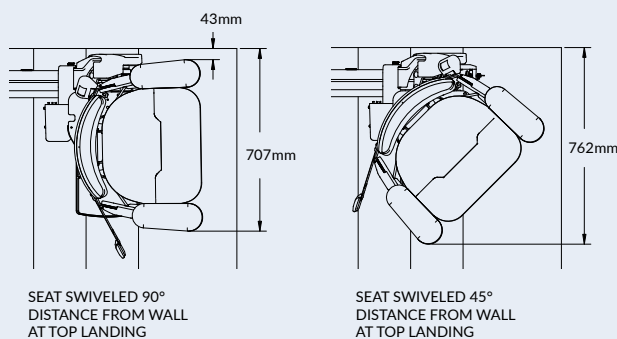
Front view lower landing



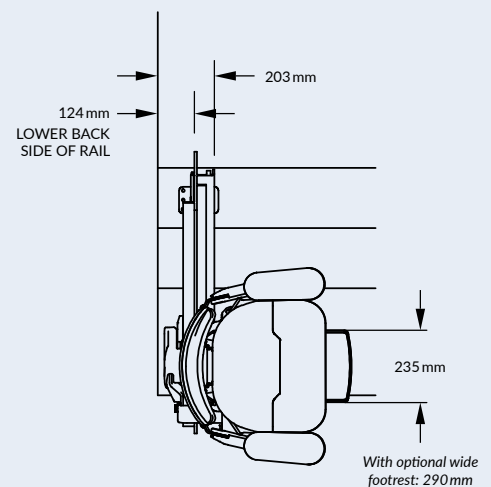
Side view



Top view



Top view



A - Seat heights

560 mm
585 mm
611 mm
636 mm

B - Seat to footrest

minimum 440 mm
maximum 516 mm

Lower landing rail extension

Lower landing extension dimensions are based on 45 degree rail slope on a 20 cm 1st riser height. Dimensions will vary based on slope and riser height.

Dimensions are approximate and depending on the slope, riser height and custom seat adjustments made for the user. Please note that the addition of a powered swivel seat increases the seat height measurement by 50 mm.



Warranty Information

Elan and Elite Straight Stairlifts

- Lifetime Limited Warranty on Major Components
- 2-Year Warranty on All Parts

Elite Indoor Curved Stairlift

- 5-Year Warranty on Major Components
- 2-Year Warranty on All Parts

Elite Outdoor Straight and Curved Stairlift

- 5-Year Warranty on Major Components
- 2-Year Warranty on All Parts

See your dealer for details.

About Bruno

Bruno is a premier manufacturer of straight and curved stairlifts that allow people to access all levels of their home in comfort. Bruno chairlifts are tested to American, Canadian and European standards to ensure customers travel safely and securely on their stairways. A family-owned third generation business, Bruno takes pride in their unwavering focus on quality and safety and position as industry innovation leader.



Bruno
Unit 5, Millennium Court, Water Tower Road
Neston, Wirral CH64 3UZ, United Kingdom
Tel; +44 151 559 0732
Fax: +44 151 353 8828
Email; info.uk@bruno.com
www.bruno.com

© Bruno Independent Living Aids, Inc. 2020