



Britain's Original Stairlift





Britain's Original Stairlift

Why should you let getting up and down the stairs stop you from having a fully independent lifestyle? With a tailor-made Brooks Stairlift, you can stay in your home, and continue to enjoy your independence.

In 1972, experienced engineer Mr Frederick Brooks, designed a stairlift for his wife who suffered from rheumatoid arthritis, and consequently found using the stairs difficult.

This 'original' stairlift attracted much attention due to its design and high standards of engineering, and more than forty years later Brooks Stairlifts are still following these high standards set by Frederick Brooks. Combining today's technology with a strong tradition of reliability and comfort, each and every Brooks Stairlift is guaranteed to help you make the most of your home.

Brooks Stairlifts are designed to suit your individual home and lifestyle, and are engineered with a range of features that make them simple to use. Through innovation and investment, Brooks have always delivered products with the customer in mind, aiming to provide the perfect solution for your needs.

BROOKS
STAIRLIFTS

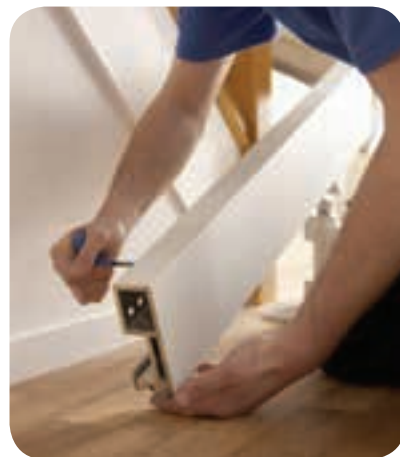
Brooks Stairlifts are designed with simple and effortless operation, ease of use and comfort in mind



Brooks continually invest in UK manufacturing facilities enabling them to deliver quality and reliability to every customer.



Brooks Stairlifts are installed by fully trained engineers, who double check every feature to give you peace of mind.



Attention to detail during installation ensures that your stairlift is fitted precisely to your staircase, and takes up the minimum amount of space.

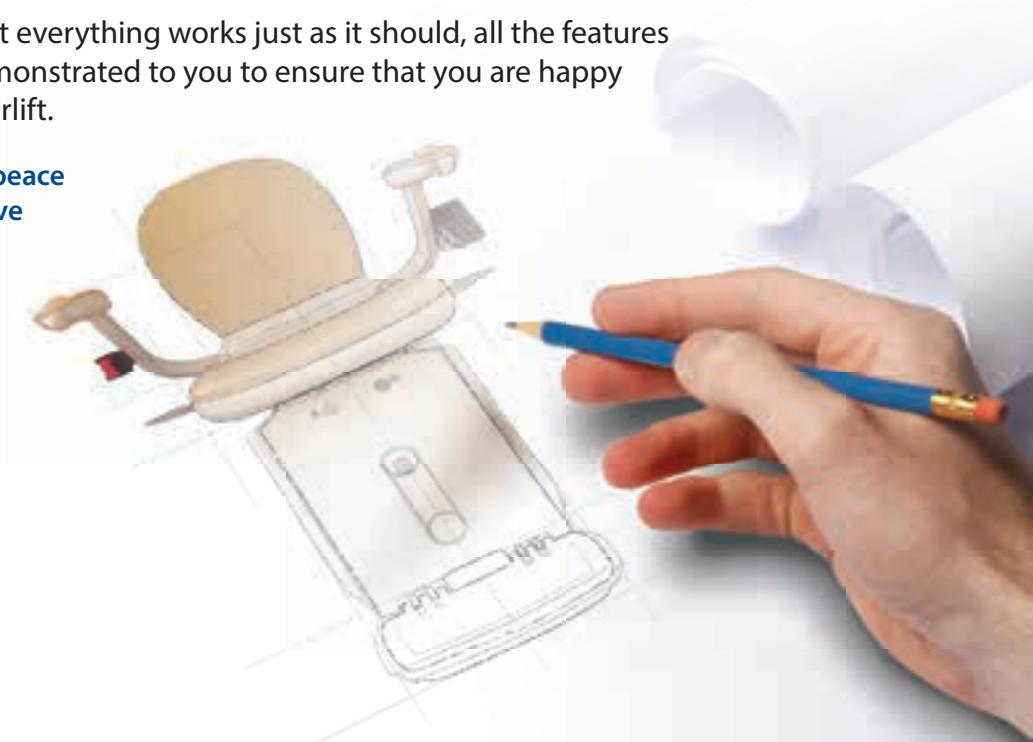
Professionalism and Care

From the moment your Brooks Stairlift is installed, we want to ensure that you are happy with it and confident in its use. An expertly trained engineer will first carefully assess your needs and ensure that your chosen stairlift solution is both suitable and affordable.

Precision manufactured, designed and assembled in the UK, your stairlift will be fitted by a fully trained installation engineer, with all work conforming to the highest Safety Standards.

After thoroughly checking that everything works just as it should, all the features will be fully explained and demonstrated to you to ensure that you are happy and confident in using the stairlift.

We are sure that you will enjoy peace of mind in knowing that you have been looked after every step of the way.



Because every staircase is different, Brooks Stairlifts have been developed to be highly adaptable.

Do you have a straight staircase?



If your staircase consists of one complete flight of stairs leading to a top landing or hallway, with no middle landing, you may require a

Brooks Straight Stairlift

The simplest solution for a straight staircase, the Brooks Straight Stairlift uses a single rail attached to your staircase.

Its unique slimline design ensures that there is plenty of space left for other members of the family to use the stairs.



Brooks Stairlifts blend seamlessly into your home, and the smooth start and stop mechanism allows you to glide effortlessly up and down the stairs.



Straight Rail



The Swivel Seat means that there is no need to twist awkwardly when rising from the stairlift at the top of the stairs and acts as a safety barrier.

Brooks Straight Features and Benefits



A safety belt is fitted to all Brooks Stairlifts so you feel secure at all times.



Safety sensors on the footrest and carriage stop the lift automatically and very gently should there be any obstruction on your staircase.



Directional paddle switches give you complete control. They can be operated easily should you have limited dexterity.



A lockable swivel seat means you can get on and off your stairlift without twisting your body. Once turned it also provides a stable base and safety barrier at the top of your stairs.



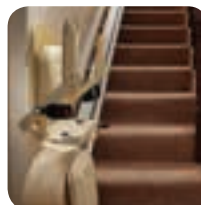
A simple digital display allows you to see the exact status of the stairlift at all times.



Two remote controls are provided so that you have the convenience of being able to call or send the lift up or down the staircase.



A lockable on/off switch provides additional "child friendly" safety.



Slim fold away design has folding arms, seat and footrest so other people in your home can continue to use the staircase as normal.



All Brooks Stairlifts are designed to fold up giving other people safe access to the staircase when the lift is not in use.

Whatever type of staircase you have in your home - straight or curved - a Brooks stairlift can provide the perfect solution for your needs.

Do you have a curved staircase?



If your staircase has turns, intermediate landings or limited space at the top or bottom, you may require a

Brooks Curved Stairlift

Using a unique modular system, accurate measurements enable Brooks to tailor-make a stairlift rail which closely follows the contour of your staircase, in days – not weeks.



Brooks Stairlifts are designed to suit your individual home and lifestyle, and include space saving features such as 180° parking bends at the top of the staircase.



Curved Rail

Brooks Curved Features and Benefits



A safety belt is fitted to all Brooks Stairlifts so you feel secure at all times.



Safety sensors on the footrest and carriage stop the lift automatically and very gently should there be any obstruction on your staircase.



Directional paddle switches give you complete control. They can be operated easily should you have limited dexterity.



A lockable swivel seat means you can get on and off your stairlift without twisting your body. Once turned it also provides a stable base and safety barrier at the top of your stairs.



A simple digital display allows you to see the exact status of the stairlift at all times.



Two remote controls are provided so that you have the convenience of being able to call or send the lift up or down the staircase.



A lockable on/off switch provides additional "child friendly" safety.



Slim fold away design has folding arms, seat and footrest so other people in your home can continue to use the staircase as normal.



The modular rail enables the Brooks Curved Stairlift to follow the contour of your staircase closely, even around bends.

*“From start to finish the service was first class.
I no longer have to think about going upstairs, I just do it.”*

Mrs Whelham, Hertfordshire

Available Options

Straight Stairlift Options



Outdoor Lift*

Fully weather-proofed, ideal for outdoor use. With all of the same features as the Brooks Straight.

Supplied with a durable waterproof cover for extra protection.



to
obstruction

Hinged Rail*/**

In situations where there may be an obstruction at the foot of the staircase (usually a door), or where the stairlift could cause a tripping hazard, a hinged rail is required ‘fold back’ away from the

when the stairlift is not in use.



Powered Footrest**

A powered footrest allows the user to automatically lift the footrest when in the parking position.

Heavy Duty Lift*

For users up to 25stone (159kg) with a wider seat option and heavy duty batteries.



Sit / Stand*/**

Designed for multiple users with different requirements, the Brooks Sit/Stand Stairlift allows the user to either sit or stand depending on the user's choice.

Powered Hinge Rail**

The rail is available with a powered hinge. The track folds up at the bottom automatically to eliminate any potential tripping hazards.

Curved Stairlift Options



Automatic Powered Hinge**

The curved rail has a section at the bottom that goes up and out of the way automatically as the stairlift travels up and down the staircase.



Powered footrest**

A powered footrest allows the user to automatically lift the footrest when in the parking position.



Powered Swivel Seat**

A powered swivel seat is available on both the Brooks Straight and Curved models.

Allows the user to swivel at the top of the stairs automatically. The remote control also allows the seat to swivel.

* only available on the Brooks straight lift

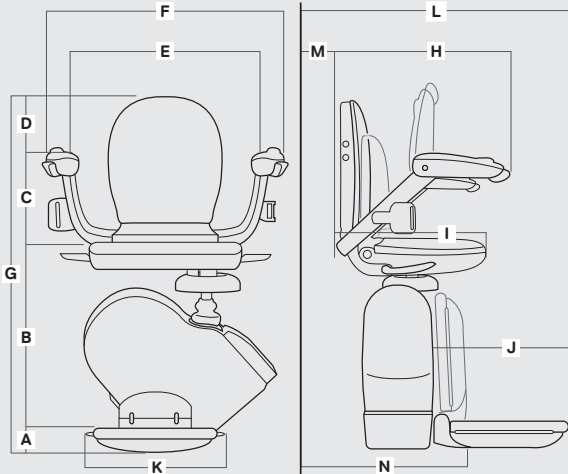
** Not available on outdoor or HD lifts



Brooks Outdoor stairlift gives you the freedom to access an outdoor area.

Fully weatherproofed components ensure full operation all year round.

Brooks Straight Specifications



Dimensions

	mm	inch
A Floor to top of footrest	95	3¾
B Top of footrest to top of seat	445	17½
C Top of seat to top of arms	250	9¾
D Top of arms to top of seat back	190	7½
E Width between armrests (wide arm version)	445 (495)	17½ (19½)
F Overall width	605	23¾
G Overall height	980	38½
H Length of arms from seat back	470	18½
I Length of seat base from seat back	435	17
J Length of footrest	325	12¾
K Width of footrest	310	12¼
L Front of footrest to stringer	570	22½
M Back of seat to stringer	13	½
N Folded depth	310	12¼

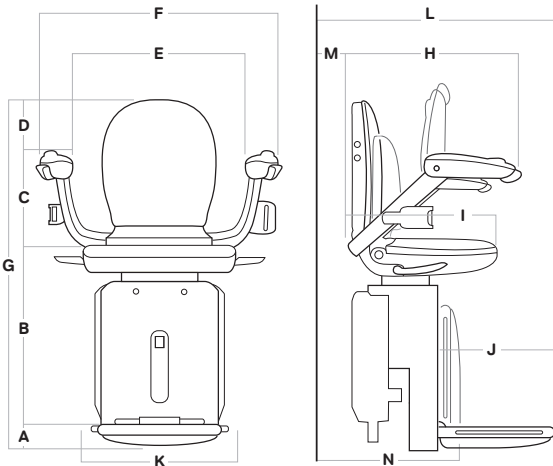
Specifications

Motor Output Speed	No greater than 0.15 m/s
Method of Drive	Rack and Pinion
Power Supply	24v DC (battery)
Maximum Capacity	127kgs
Track Extruded	Aluminium
Mains Supply	120 - 240v AC

Measurements are only a guide and subject to site and client survey.



Brooks Curved Specifications



Dimensions

	mm	inch
A Floor to top of footrest	50	2
B Top of footrest to top of seat	485	19
C Top of seat to top of arms	245	9¾
D Top of arms to top of seat back	195	7¾
E Width between armrests	480	19
F Overall width including seatbelt	620	24½
G Overall height	975	38¾
H Length of arms from seat back	460	18
I Length of seat base from seat back	435	17
J Length of footrest	360	14¼
K Width of footrest	375	14¾
L Front of footrest to stringer	640	25¼
M Back of seat to stringer	35	1½
N Folded width	335	13¼

Specifications

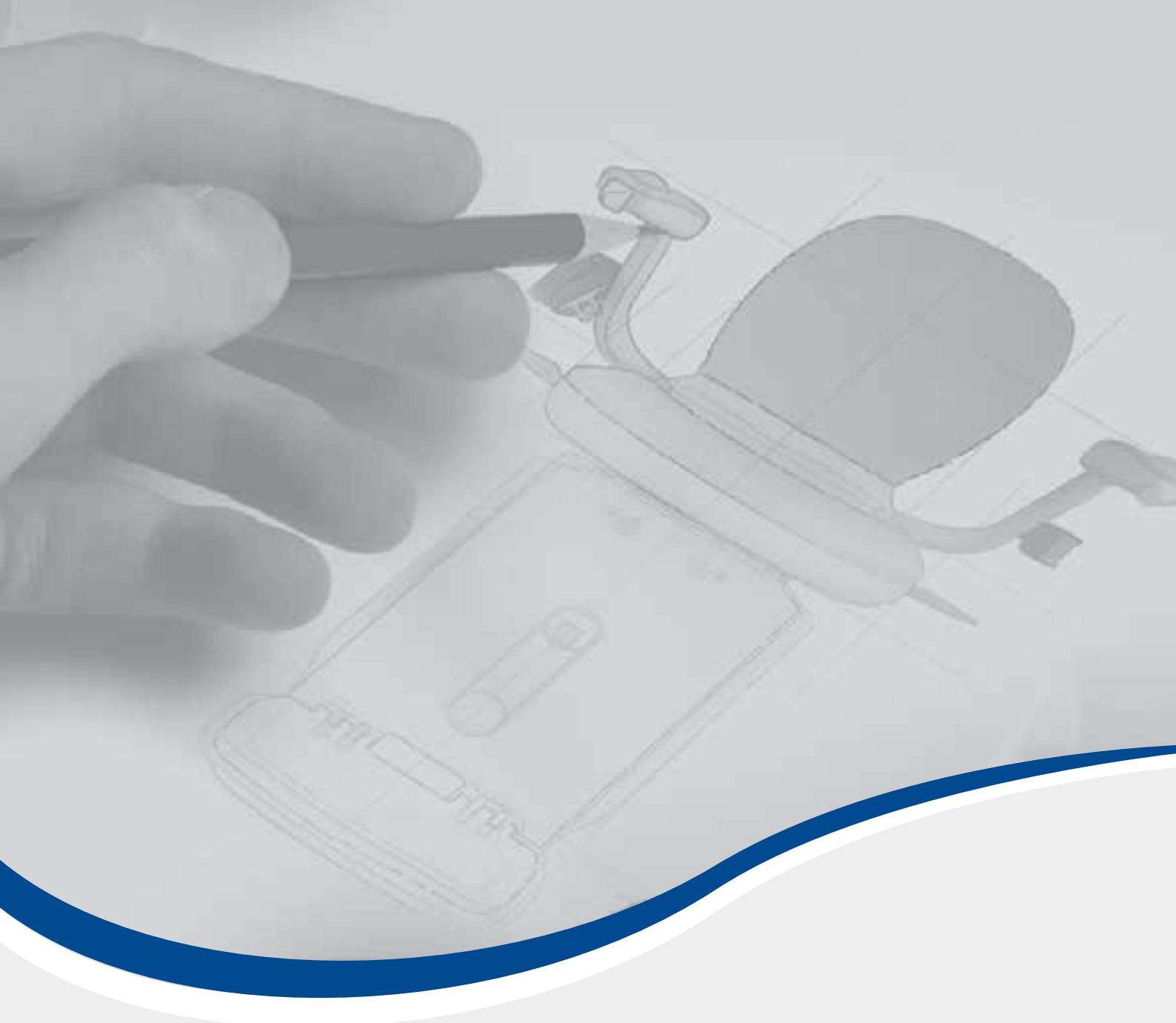
Motor Output Speed	No greater than 0.15 m/s
Method of Drive	Rack and Pinion
Power Supply	29.6v DC (battery)
Maximum Capacity	120kgs
Track Extruded	Aluminium
Mains Supply	100 - 240v AC

Measurements are only a guide and subject to site and client survey.





The Brooks Curved Stairlift can park at the top of the landing safely out of the way and neatly folds up giving easy access to adjoining rooms.



*“We love the freedom and independence
our Brooks Stairlift gives us”*

Mr and Mrs Burrows, Grassington



Brooks Stairlifts Ltd.

Telecom House · Millennium Business Park
Station Road · Steeton · West Yorkshire · BD20 6RB

All materials copyright © 2017 Brooks Stairlifts Ltd. All rights reserved.

No part of this material may be used for any purpose without prior written permission. Use without permission is expressly prohibited by law, and may result in civil and criminal penalties. Photographs and diagrams are used for illustrative purposes only. All information including dimensions, specifications and prices are correct at the time of printing and are subject to change.

Registered in England No. 1042173

For more information or to arrange a visit from
a representative, please contact:



5352/BRBR/0417